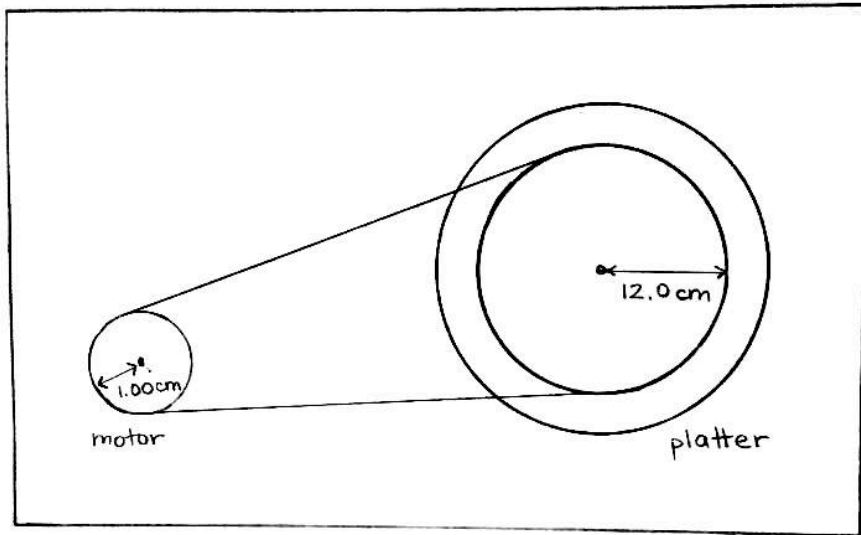


COMPOUND MACHINES DIAGRAM SHEET  
 MIT SCIENCE OLYMPIAD INVITATIONAL 2015  
 All drawings by Diana D. MIT '15

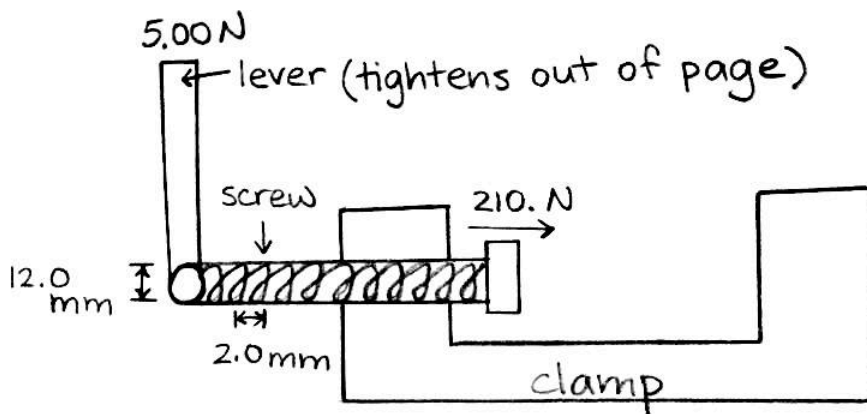
Question 6: Turntable



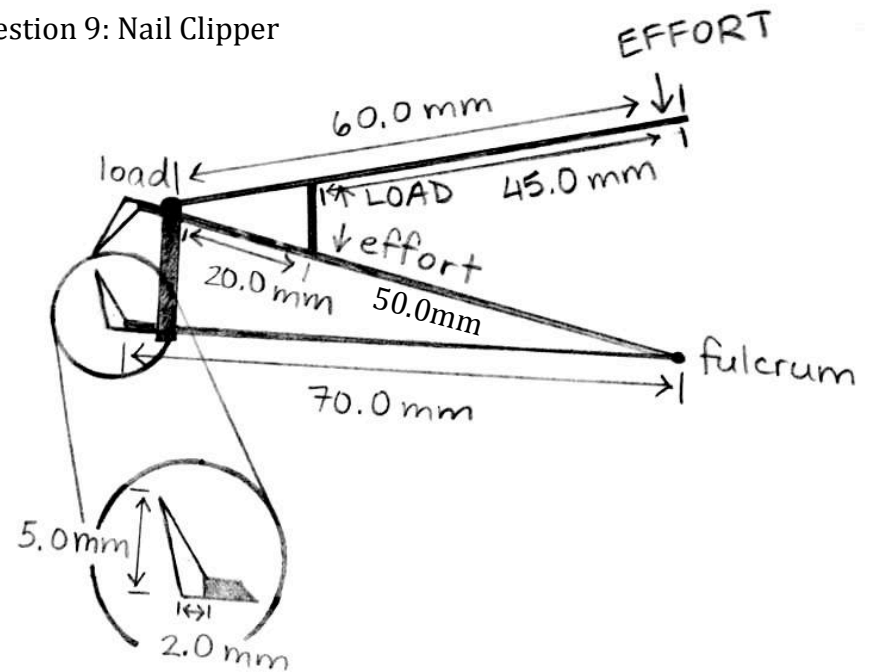
Question 7: Guitar Tuner



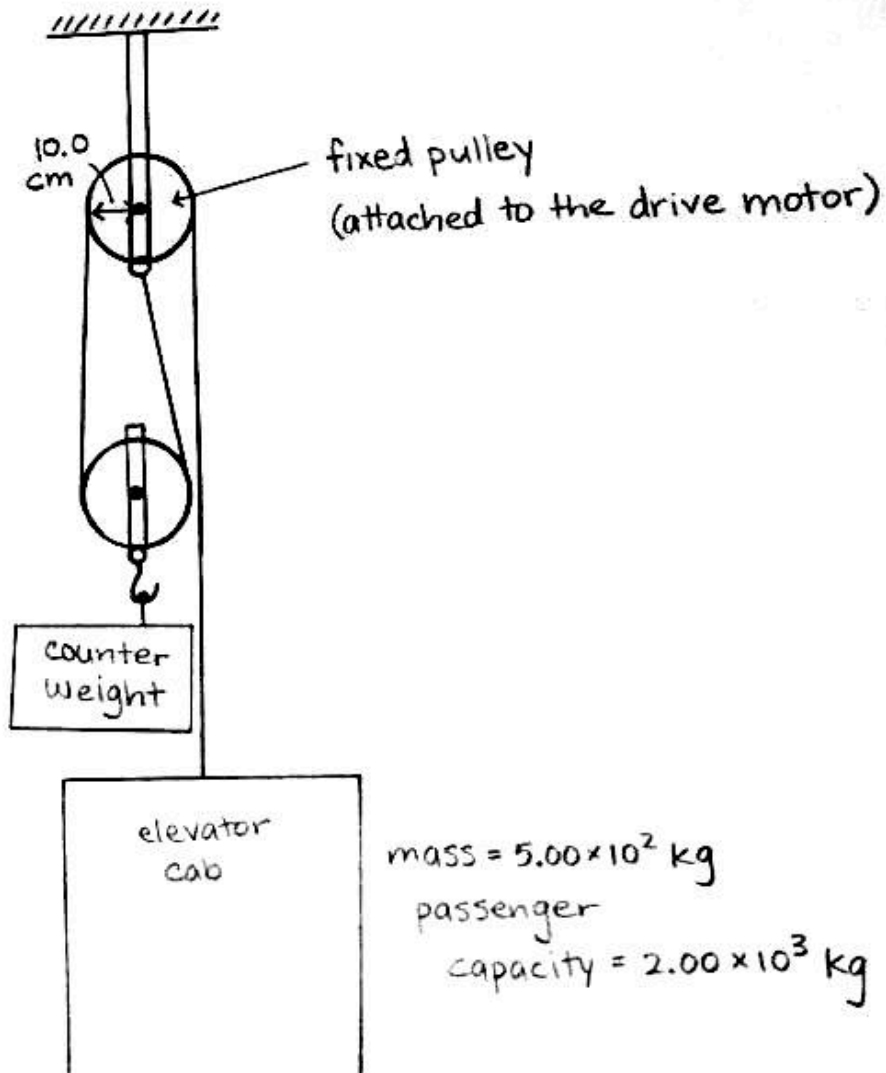
Question 8: Bungee Drop



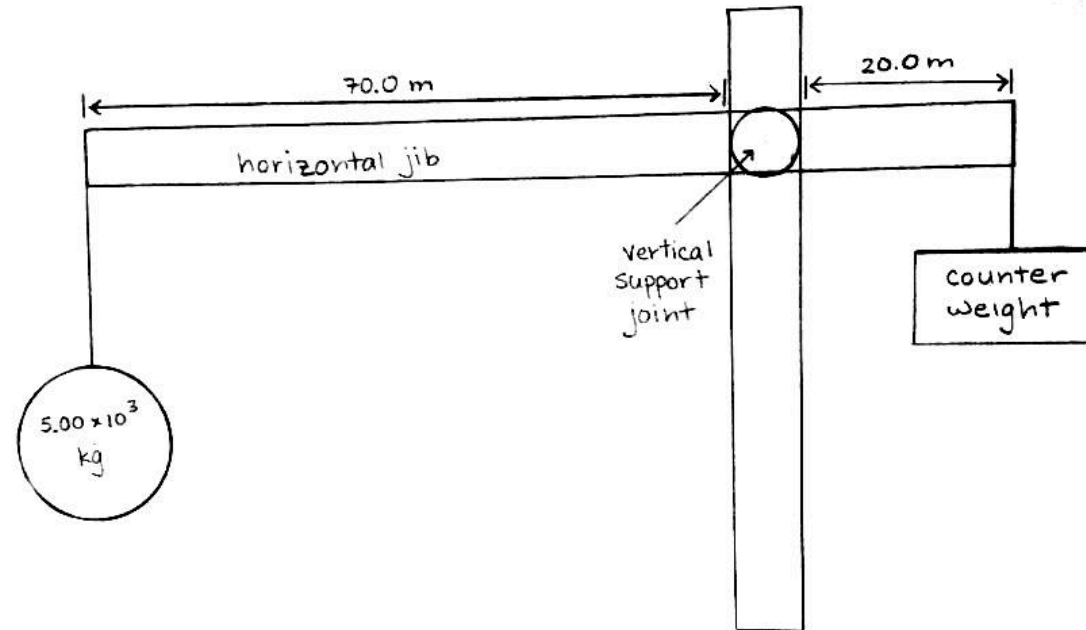
Question 9: Nail Clipper



Question 10: Elevator Counterweight



Question 11: Crane Counterweight



Question 12: Mission Possible

